



5-PCS OUTDOOR GAS FIRE PIT SET

4 RESIN WICKER CHAIRS | 1 PROPANE FIRE PIT TABLE

OPERATOR'S MANUAL

A Division of Snow Joe®, LLC

Model SJ-PSGB


Form No. SJ-SJ-PSGB-880E-M

IMPORTANT!

Safety Instructions


All Operators Must Read These Instructions Before Use

Read all the instructions contained in this manual. Keep this manual in a safe place, so that the information is available at all times. If you give this fire pit set to another person, make sure to provide these operating instructions. Basic safety precautions should always be followed when using the fire pit set.

Notice the personal safety alert symbol  used in this manual to draw your attention to a **WARNING** given along with the particular operating instruction. This means that the operation requires special **ATTENTION, CAUTION, and AWARENESS**.


INSTALLER: Leave this manual with the appliance.
CONSUMER: Retain this manual for future reference.

FOR OUTDOOR USE ONLY (outside any enclosure)

 **WARNING!** Do not store or use gasoline or other flammable vapors and liquids in the vicinity of this or any other appliance. An LP-cylinder not connected for use shall not be stored in the vicinity of this or any other appliance.

 **DANGER!** If you smell gas:

1. Shut off gas to the appliance.
2. Extinguish any open flame.
3. If odor continues, keep away from the appliance and immediately call your gas supplier or fire department.

 **WARNING!** If the information in this manual is not followed exactly, a fire or explosion may result causing property damage, personal injury, or loss of life.

DANGER! CARBON MONOXIDE HAZARD

This appliance can produce carbon monoxide which has no odor. Using it in an enclosed space can kill you. Never use this appliance in an enclosed space such as a camper, tent, car or home.

WARNING!

1. Improper installation, adjustment, alteration, service, or maintenance may result in property damage, injury, or death.
2. Thoroughly read the instructions for installation, operation, and maintenance before installing or servicing this equipment.
3. Failure to follow these instructions could result in a fire or explosion, which could cause property damage, personal injury, or death.

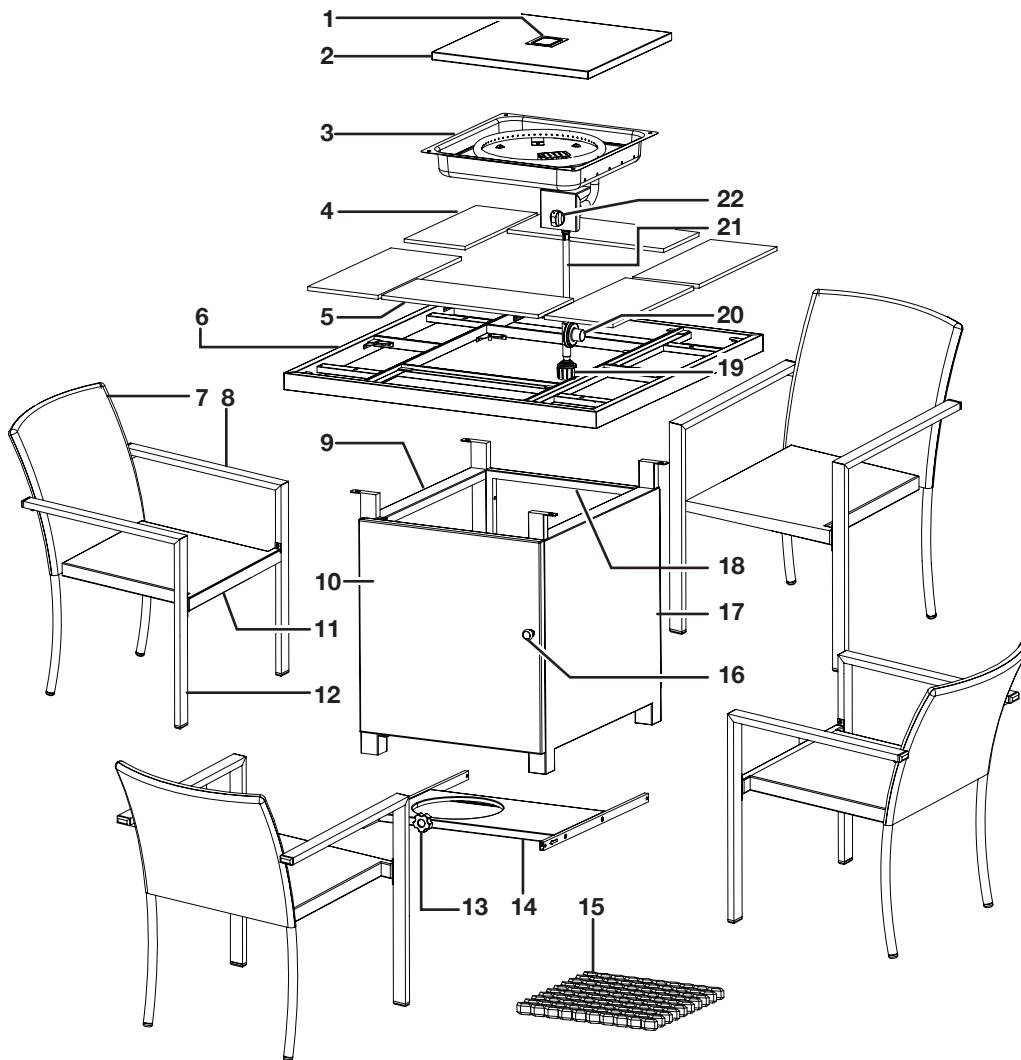
WARNING!

1. DO NOT use this fire pit set without reading this entire manual and all WARNINGS, cautions, and instructions.
2. Always use this equipment in accordance with all applicable local, state, and national regulations. Contact your local fire department for details on outdoor burning.
3. This item is for outdoor use only. Use the appliance outdoors in a well-ventilated space only, NEVER in a building, garage, or any other enclosed area.
4. When using the appliance, keep the appliance area clear and at least 50 inches from combustible materials, gasoline and other flammable liquid and vapors. Certain items or materials, when stored under the appliance or nearby, will be subjected to radiant heat and could be seriously damaged.
5. Inspect the gas connections of appliance prior to each use. Do not operate the unit if there is gas leak. A qualified service person should inspect the appliance annually.
6. Inspect the gas hose before each use of the appliance. The hose assembly must be replaced prior to the appliance being put into operation if there is evidence of excessive abrasion or wear or if the hose is damaged. The replacement hose assembly shall be that specified by the manufacturer.
7. Alert children and adults to the hazards of high surface temperatures and keep them away to avoid burns or clothing ignition.
8. Carefully supervise children and pets when they are near the appliance.
9. Any guard, barrier, or other protective device removed for servicing the appliance shall be replaced prior to operating the appliance.
10. Do not hang clothing or other flammable materials on or near the appliance. Do not wear flammable or loose clothing when operating this fire pit.

11. Do not use the appliance if any part has been under water. Immediately call a qualified service technician to inspect the appliance and to replace any part of the control system and any gas control which has been under water.
12. The installation must conform with local codes or, in the absence of local codes, with either the Natural Gas and Propane Installation Code, CSA B149.1, or the Propane Storage and Handling Code, CSA B149.2. The LP-gas supply cylinder to be used must be: Constructed and marked in accordance with the Specifications for LP-gas cylinders of the U.S. Department of Transportation (DOT); or the Standard for Cylinders, Spheres and Tubes for Transportation of Dangerous Goods and Commission, CAN/CSA-B339, as applicable.
13. This appliance requires 20 lbs (9 kg) LP gas supply cylinder.
14. The burner must be replaced prior to the appliance being put into operation if it is evident that the burner is damaged. The replacement burner shall be that specified by the manufacturer.
15. Use only a cylinder supply system arranged for vapor withdrawal, and the cylinder must include a collar to protect the cylinder valve.
16. The LP-gas supply cylinder to be used must be provided with a listed overfilling prevention device; and provided with a cylinder connection device compatible with the connection for the appliance.
17. Installation and repair should be done by a qualified service person. The appliance should be inspected before use and at least annually by a qualified service person. More frequent cleaning may be required as necessary. It is imperative that control compartment, burners, and circulating air passageways of the appliance be kept clean.
18. This fire pit set is NOT for commercial use.
19. This fire pit set is NOT to be operated by children.
20. This fire pit set is NOT intended for cooking or food preparation.
21. When using this fire pit set, exercise the same precautions as you would with any open fire.
22. Use the fire pit set away from windows, air intake openings, sprinklers and other water sources.
23. Make sure there are no signs of spider or insect nests before using.
24. The use of alcohol, prescription, or non-prescription drugs may impair the consumer's ability to properly assemble or safely operate this fire pit set.
25. DO NOT alter this fire pit set in any manner.
26. DO NOT use this fire pit set until it is COMPLETELY assembled and all parts are securely fastened and tightened.
27. Always use this fire pit on a hard level non-combustible surface such as concrete, rock, or stone.
28. DO NOT use in windy conditions.
29. Keep all electrical cords away from a hot fire pit.
30. DO NOT leave a lit fire pit unattended, especially around children and pets.
31. This fire pit should be thoroughly inspected and cleaned on a regular basis.
32. After a period of storage and/or non-use, check for signs of damage. DO NOT operate until all necessary repairs and/or proper cleaning procedures have been successfully executed.
33. Death, serious injury, or damage to property may occur if any of the above precautions are not followed exactly.
34. Do not burn solid fuels in this gas appliance.

Know Your Fire Pit Set

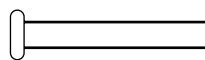
Read the owner's manual and safety rules carefully before using your fire pit set. Compare the illustration below to the actual unit in order to familiarize yourself with the location of the various parts and hardware. Save this manual for future reference.



1. Burner cover latch
2. Burner cover
3. Burner assembly
4. Short ceramic tile (4)
5. Long ceramic tile (2)
6. Table top frame
7. Chair backrest (4)
8. Right chair arm (4)
9. Left side panel
10. Door panel
11. Chair seat (4)
12. Left chair arm (4)
13. Cylinder locking bolt
14. Cylinder holder
15. Lava rocks
16. Door knob
17. Right side panel
18. Rear panel
19. Cylinder connector
20. Gas regulator
21. Gas hose
22. On/Off knob

Hardware Pack Contents

A Phillips Head Bolt
M5x10 Qty.4

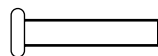


D Hexagon Socket Head Bolt
M6x40 Qty.8



G Plain Washer
6.4x12x1.6 Qty.32

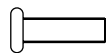
B Phillips Head Bolt
M6x12 Qty.4



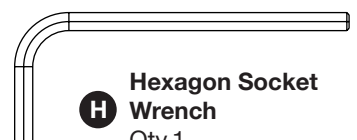
E Hexagon Socket Head Bolt
M6x30 Qty.12



F Spring Lock Washer
6.1x1.6x1.6 Qty.32



C Hexagon Socket Head Bolt
M6x20 Qty.22



H Hexagon Socket
Wrench
Qty.1

Technical Data

Rated Heat Input	50,000 BTU
Fire Pit Fuel Type	Propane gas
Min Gas Supply	5 PSI (35 kPa)
for Input Adjustment	
Max gas supply	250 PSI (1723.7 kPa)
Manifold Pressure	11 in wc (2.74 kPa)
Material	Steel frame + all-weather resin wicker
Chair Dimension	33.5 in. x 23 in. x 24.8 in. (85 cm x 58.5 cm x 63 cm)
Chair Weight	13.2 lbs (6 kg) each
Table Dimension	25 in. x 32 in. x 32 in. (63.5 cm x 82 cm x 82 cm)
Table Weight	57.2 lbs (26 kg)
Total Weight	110 lbs (50 kg)

Unpacking

NOTE: Before assembly, make sure that all of the parts and hardware listed below are present. If any part is missing or damaged, do not attempt to assemble the product. Contact the Snow Joe® + Sun Joe® customer service department at 1-866-SNOWJOE (1-866-766-9563).

Parts

- | | |
|---------------------------|---------------------------|
| 1. Burner cover | 2. Burner assembly |
| 3. Lava rocks | 4. Short ceramic tile (4) |
| 5. Long ceramic tile (2) | 6. Table top frame |
| 7. Door panel | 8. Door knob |
| 9. Rear panel | 10. Left side panel |
| 11. Right side panel | 12. Cylinder holder |
| 13. Cylinder locking bolt | 14. Chair backrest (4) |
| 15. Chair seat (4) | 16. Right chair arm (4) |
| 17. Left chair arm (4) | 18. Crash pad (24) |

Hardware

- A. M5x10 Phillips head bolt (4)
- B. M6x12 Phillips head bolt (4)
- C. M6x20 Hexagon socket head bolt (22)
- D. M6x40 Hexagon socket head bolt (8)
- E. M6x30 Hexagon socket head bolt (12)
- F. Spring lock washer (32)
- G. Plain washer (32)
- H. Hexagon socket wrench

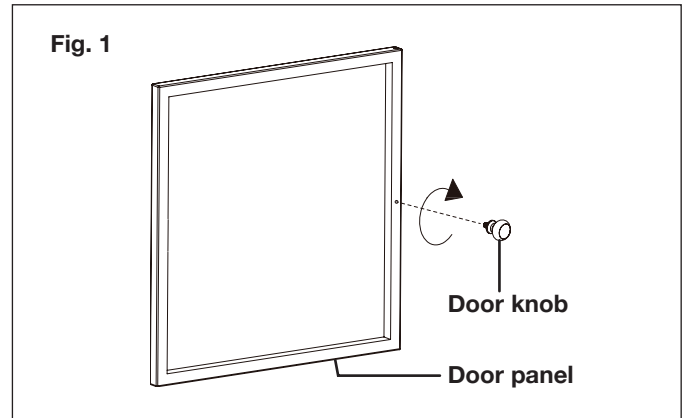
Assembly

Tools Required: Phillips screwdriver (not provided)

Choose a soft and level location for assembly. Remove all parts from the packaging, and check for missing parts.

Propane Fire Pit Table Assembly

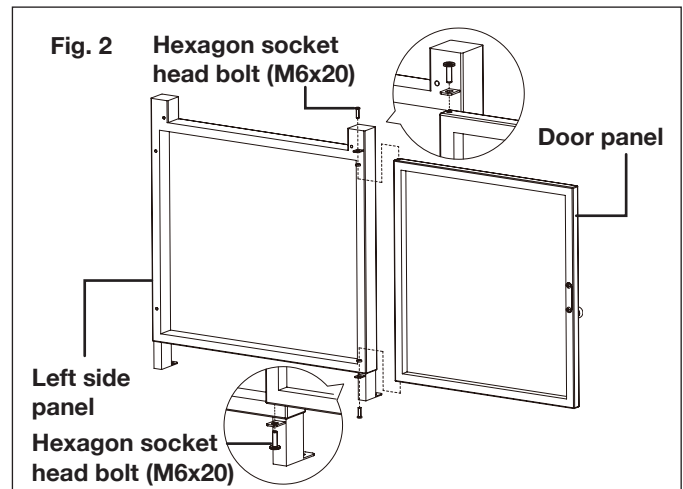
1. Screw the door knob to the door panel, as shown (Fig. 1).



2. Attach the door panel with the knob to the left side panel with 2 Hexagon socket head bolts M6x20 (C). Use the Hexagon socket wrench (H) to fix (Fig. 2).

Hardware Required

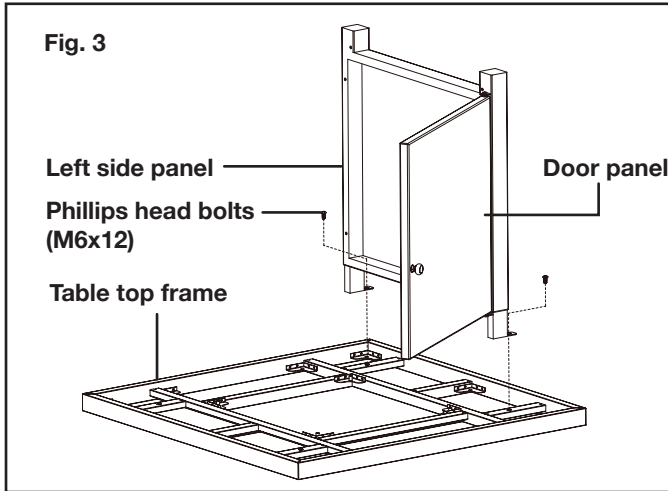
ITEM	DESCRIPTION	QTY.
C	Hexagon socket head bolt (M6x20)	2
H	Hexagon socket wrench	1



3. Turn the table top frame upside down, Attach the door panel and left side panel assembly to the table top frame with 2 Phillips head bolts M6x12 (B) as Fig.3.

Hardware Required

ITEM	DESCRIPTION	QTY.
B	Phillips head bolts (M6x12)	2

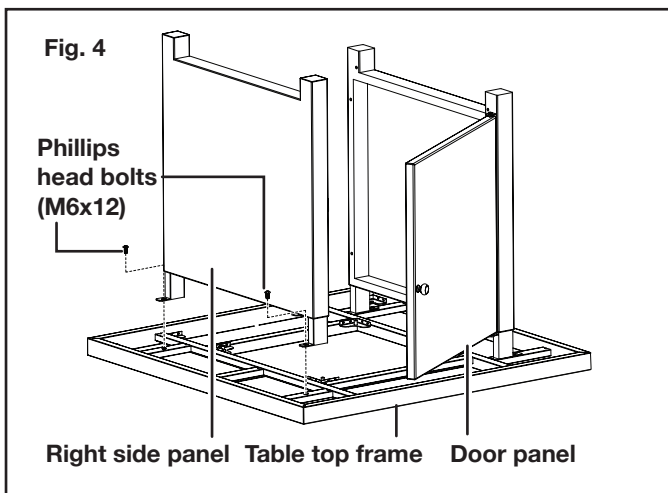


4. Attach the right side panel to the table top frame with 2 Phillips head bolts M6x12 (B) as Fig.4.

Note: Make sure the side with magnet is facing to door panel.

Hardware Required

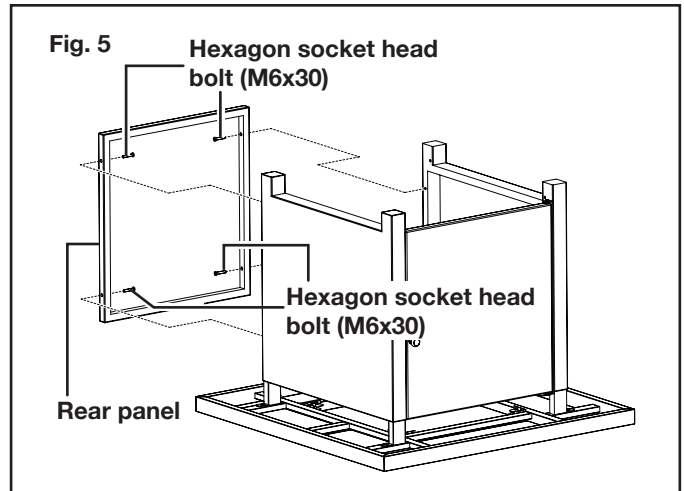
ITEM	DESCRIPTION	QTY.
B	Phillips head bolts (M6x12)	2



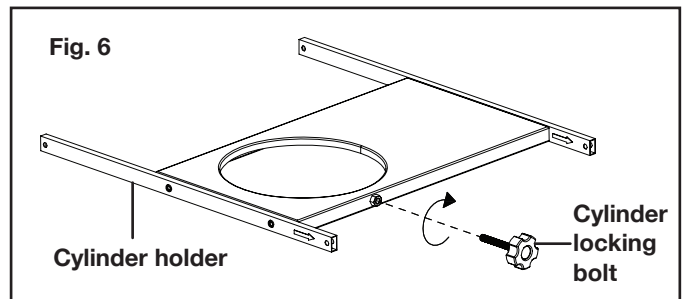
5. Attach the rear panel to the left side panel and right side panel with 4 Hexagon socket head bolts M6x30 (E). Use the Hexagon socket wrench (H) to fix (Fig. 5).

Hardware Required

ITEM	DESCRIPTION	QTY.
E	Hexagon socket head bolt (M6x30)	4
H	Hexagon socket wrench	1



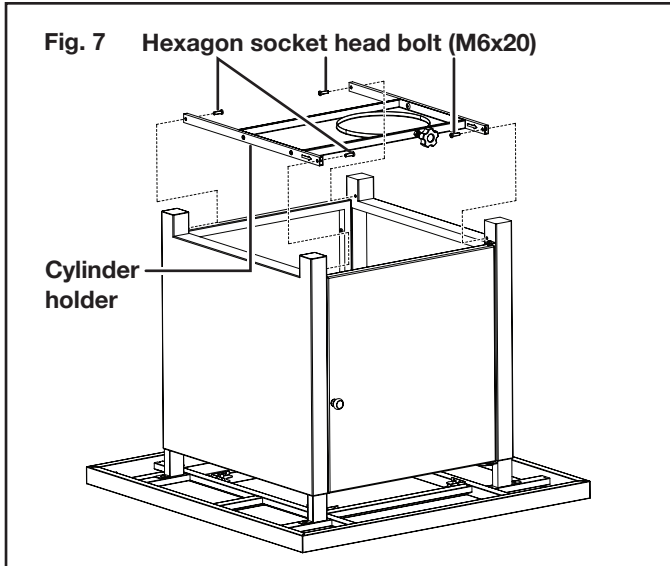
6. Screw the cylinder locking bolt to the cylinder holder as shown (Fig. 6).



7. Attach the cylinder holder to the side panels with 4 Hexagon socket head bolts M6x20 (C). Use the Hexagon socket wrench (H) as to fix. Make sure the cylinder locking bolt is facing the same direction as the door panel (Fig. 7).

Hardware Required

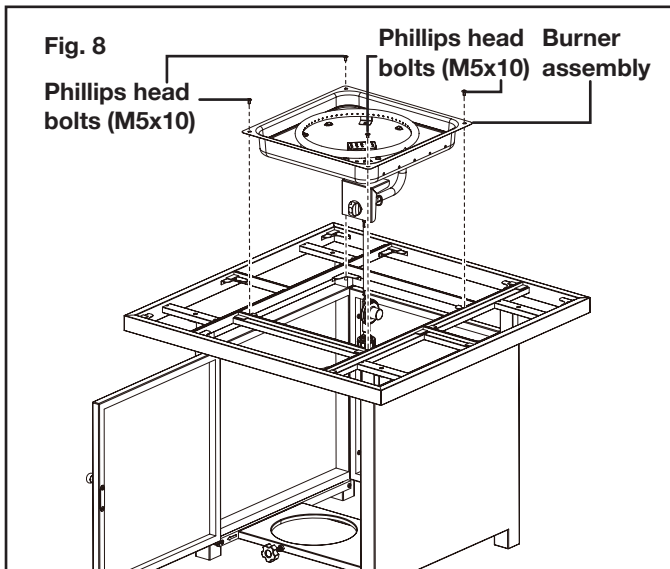
ITEM	DESCRIPTION	QTY.
C	Hexagon socket head bolt (M6x20)	4
H	Hexagon socket wrench	1



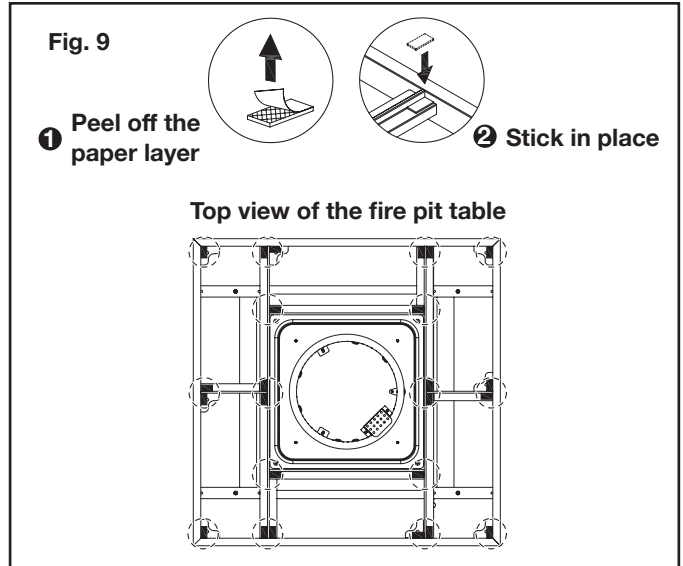
8. Turn the whole fire pit table standing on its legs. Attach the burner assembly onto the table top frame with 4 Phillips head bolts M5x10 (A). Make sure the On/Off knob of the burner assembly is facing the same direction with the door panel (Fig. 8).

Hardware Required

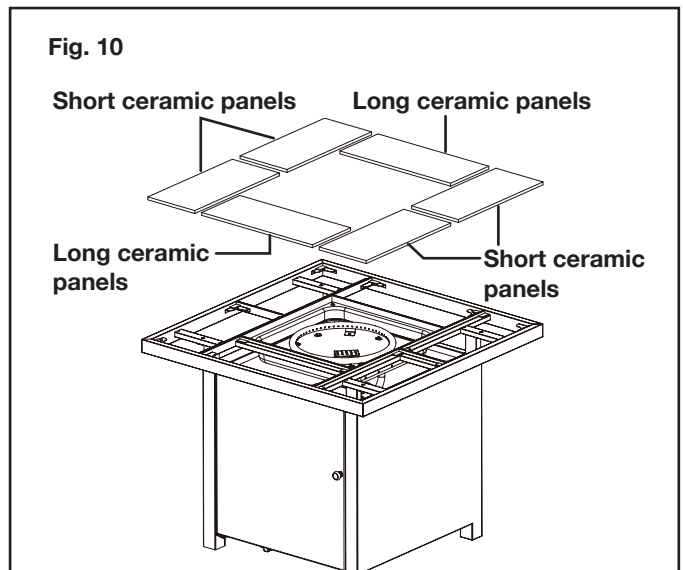
ITEM	DESCRIPTION	QTY.
A	Phillips head bolts (M5x10)	4



9. Before assembling the ceramic tiles, put one crash pad on each corner of the metal frames as shown (circle out in Fig. 9). Simply peel off the paper layer and stick them in place (Fig. 9).

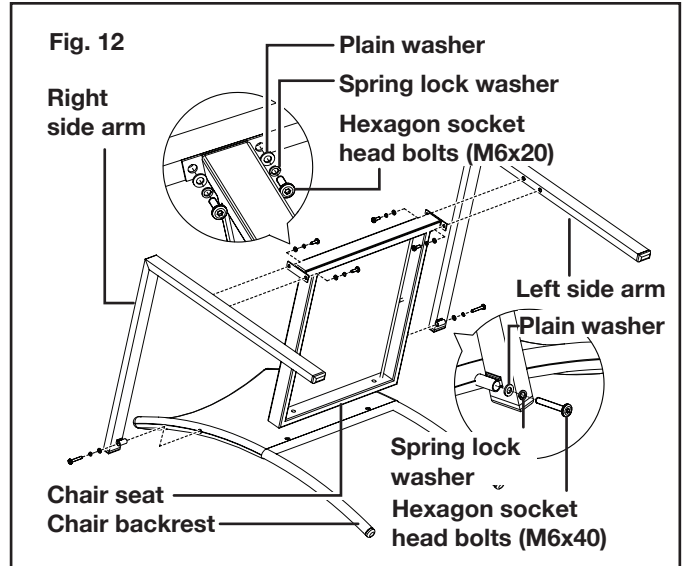
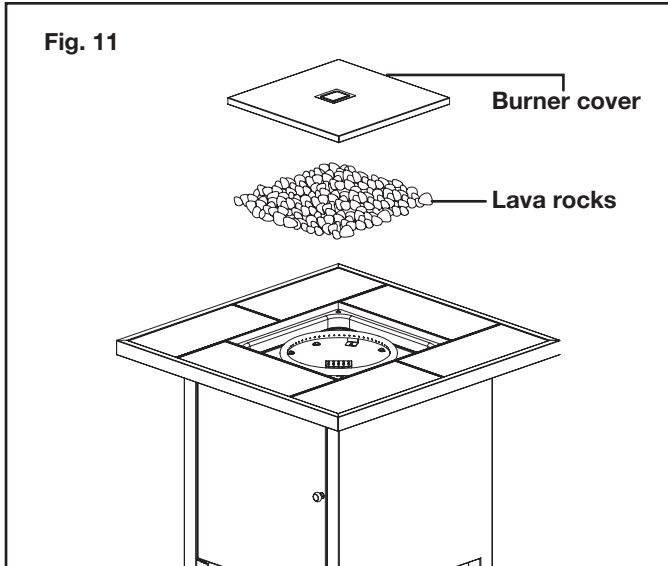


10. Put 4 short ceramic tiles and 2 long ceramic tiles onto the table top frame as shown (Fig. 10).



11. Put the lava rocks into the burning area of the table top frame. If the equipment is not going to be used, place the burner cover onto the table top frame (Fig. 11).

NOTE: to avoid ignition failure, do not cover the flame orifice with lava rocks.



Chair Assembly

1. Attach left chair arm to the left side of chair seat and chair backrest with a Hexagon socket head bolt M6x40 (D), 2 Hexagon socket head bolts M6x20 (C), 3 spring lock washers (F) and 3 plain washers (G). Use Hexagon socket wrench (H) to fix. Repeat for the right arm (Fig. 12).

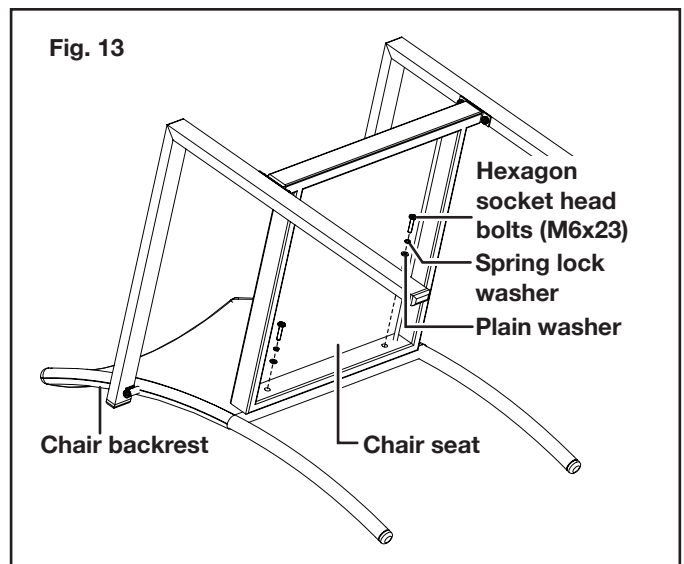
Hardware Required

ITEM	DESCRIPTION	QTY.
D	Hexagon socket head bolt (M6x40)	2
C	Hexagon socket head bolts (M6x20)	4
F	Spring lock washers	6
G	Plain washers	6
H	Hexagon socket wrench	1

2. Attach chair seat to the chair backrest with 2 Hexagon socket bolts M6x30 (E), 2 spring lock washers (F) and 2 plain washers (G). Use the Hexagon socket wrench (H) to fix (Fig. 13).

Hardware Required

ITEM	DESCRIPTION	QTY.
E	Hexagon socket head bolt (M6x30)	2
F	Spring lock washers	2
G	Plain washers	2
H	Hexagon socket wrench	1



3. Repeat above operations to assembly all 4 chairs.

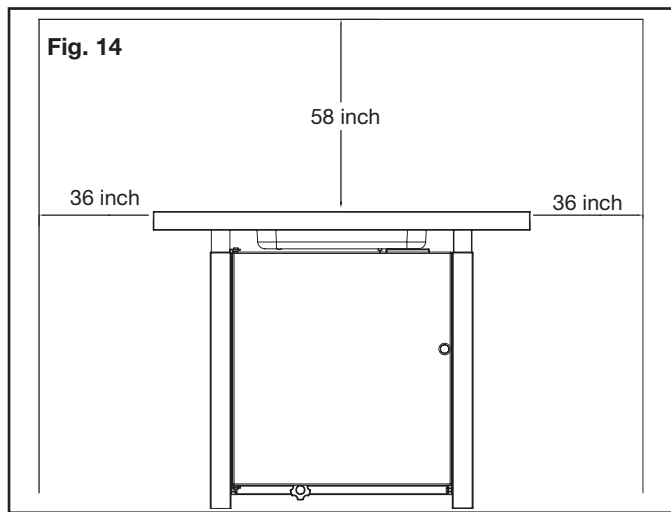
Operation

⚠️ WARNING! DO NOT ATTEMPT TO OPERATE THE APPLIANCE UNTIL YOU HAVE READ AND UNDERSTAND ALL PRECAUTIONS. FAILURE TO DO SO CAN RESULT IN PROPERTY DAMAGE, SERIOUS INJURY, OR DEATH.

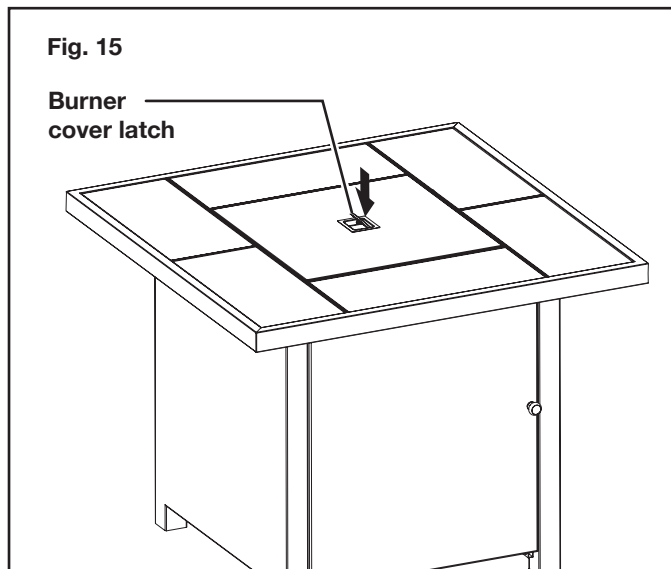
Set Up

1. Place the fire pit table on an outdoor, level, non-combustible surface. Make sure that adequate fresh air ventilation is provided. Follow the spacing tolerances as shown (Fig. 14).

NOTE: Do not place the appliance on grass. This may affect the ventilation.

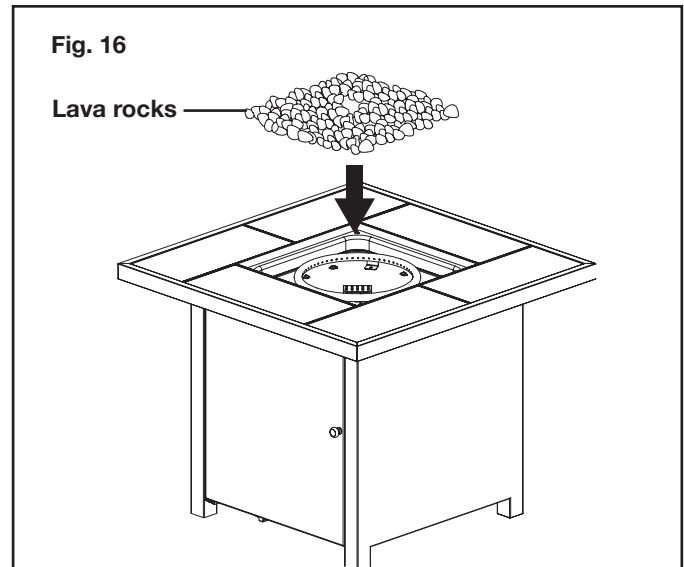


2. Press down on the burner cover latch in the middle of the burner cover to remove it (Fig. 15).

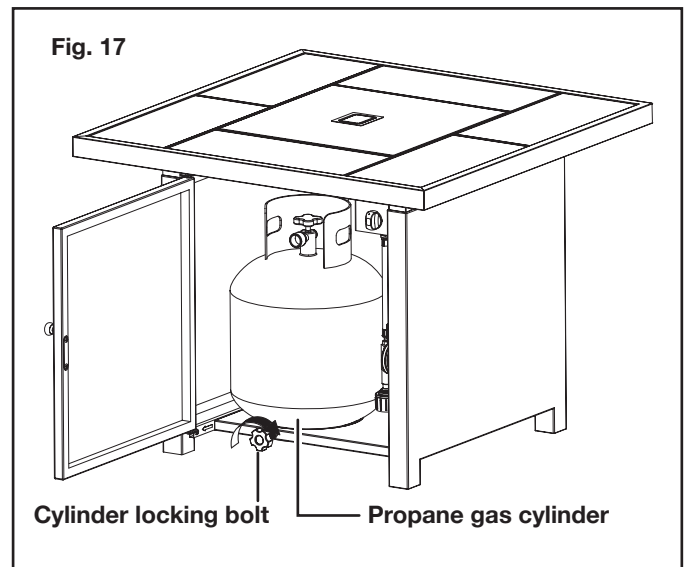


3. Place the provided lava rocks in the fire bowl assembly. Make sure not to cover the flame orifices (Fig. 16).

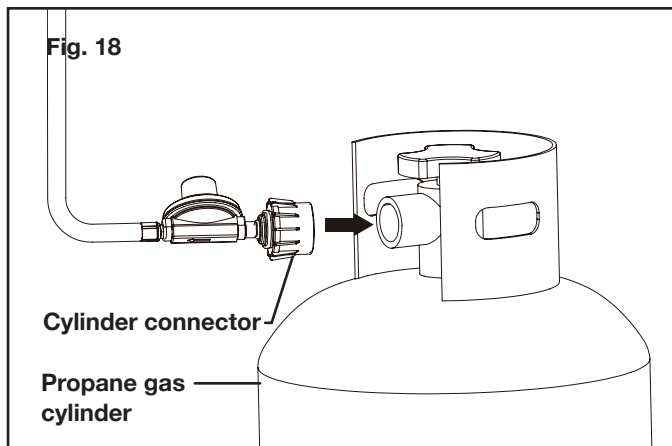
NOTE: Do not put more than 8.8 lbs of lava rocks in the burner assembly.



4. Open the door and place a cylinder in the holder assembly. Let it sit in the hole securely. Turn the cylinder locking bolt clockwise to secure the gas cylinder (Fig. 17).



5. Attach the connector to the cylinder and rotate the knob clockwise by hand (Fig. 18).



Leakage Test

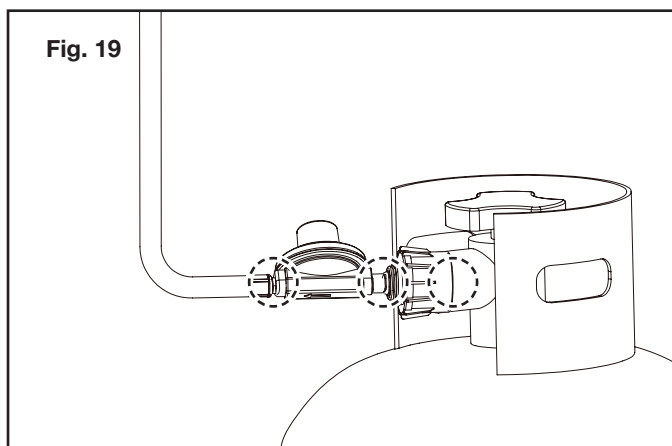
All connections of this gas fire pit have been checked at the factory for leakage. However, in transportation and handling some connections may have loosened. It's recommended to run the leakage test every time before using and after parts replacement.

⚠️ WARNING!

- Do not use an open flame to check for leakage.
- Do not smoke during testing.
- Do not test indoors.
- A leak check must be performed whenever the gas cylinder is replaced.

NOTE: Use only the pressure regulator supplied with this fire pit. Replace it with those specified by the manufacturer only.

1. Make leakage solution by mixing 1 part liquid dish soap and 3 parts water.
2. With the cylinder connected to the hose, spoon or brush several drops (or use squirt bottle) of the solution onto the connections along the hose, regulator and cylinder (Fig. 19).



3. Turn on gas cylinder. Inspect the connections and look for bubbles.
4. If no bubbles appear, the connection is safe. If bubbles appear, there is leakage. Loosen and re-tighten this connection. If there is still a leak, turn off the cylinder and contact the Snow Joe® + Sun Joe® customer service center at 1-866-SNOWJOE (1-866-766-9563).

At least once a year, a complete inspection of the entire gas path components should be performed by a professional technician.

Lighting

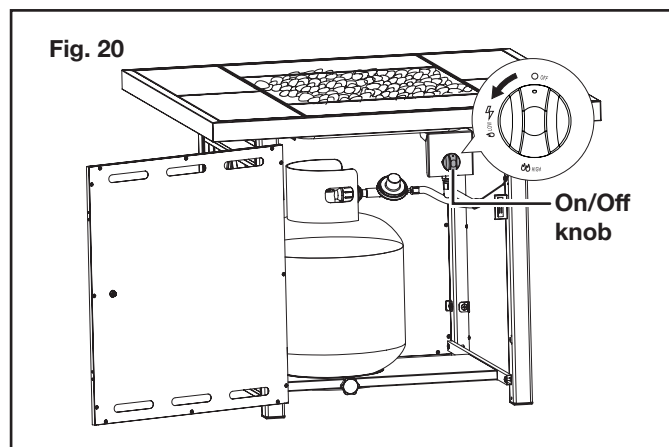
Your fire pit was designed and approved for OUTDOOR USE ONLY. DO NOT use it inside a building or any other enclosed area.

Make sure surrounding areas are free of combustible materials, gasoline, and other flammable vapors or liquids. Ensure that there is no obstruction to air ventilation. Be sure all gas connections are tight and there are no leaks. Be sure the access panel is clear of debris. Be sure any component removed during assembly or servicing is replaced and fastened prior to starting.

⚠️ DANGER! Lighting operations should comply with the instructions below. Improper lighting operations will cause serious injury and explosion.

⚠️ WARNING! The gas fire pit should be thoroughly inspected before each use, and by a qualified service person at least annually.

1. Make sure the On/Off knob is in the OFF position.
2. Turn the LP cylinder gas valve to fully open position.
3. Press down the On/Off knob and turn it counterclockwise to LOW position, this will light the burner (Fig. 20).



4. When burner is lit, turn the control knob to desired heat output position between "LOW" and "HIGH".
5. To relight the fire pit, wait at least 5 minutes after turning off the fire pit.

⚠️ WARNING! FOR YOUR SAFETY

If at any time you are unable to light burner and smell gas, wait 5 minutes to allow gas to dissipate before attempting to light gas appliance again.

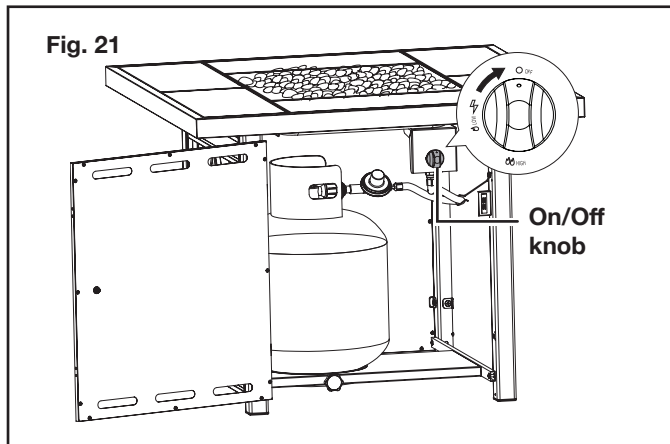
Flame Characteristic

Normally the burner flame is yellow. If the burner flame is blue and very small, please check the gas cylinder, as it may be low gas pressure or empty. If there is enough gas in the cylinder, the burner may need to be changed. Contact the Snow Joe® + Sun Joe® customer service department at 1-866-SNOWJOE (1-866-766-9563).

If flames lift away from burner or backfire happens, or thick black smoke appears, the fire pit should be turned off immediately. The fire pit should not be operated again until the unit is serviced and/or repaired by a qualified service technician.

Extinguishing

1. Push in and turn the On/Off knob clockwise to OFF position (Fig. 21).



2. Turn LP cylinder gas valve off when appliance is not in use.

⚠️ WARNING! Don't put out the fire with water. The sudden change in the fire pit can cause breakage and deteriorate the metal.

⚠️ WARNING! Gas appliance will be hot after use. DO NOT touch or move gas appliance for at least 45 minutes after use.

In The Event of Gas Leakage:

1. Turn the On/Off knob to OFF position.
2. Turn off the LP cylinder gas valve.
3. Wait 5 minutes to allow gas to dissipate.
4. If odor continues, immediately call gas supplier.

Maintenance

To enjoy years of outstanding performance from the gas fire pit set, make sure you perform the following maintenance activities on a regular basis.

⚠️ WARNING! DO NOT touch or move gas appliance for at least 45 minutes after use. Allow all burner elements to cool before touching.

Cleaning

This fire pit should be cleaned on a regular basis to promote safer experiences and longer product life.

DO NOT attempt to clean this fire pit until the fire is COMPLETELY out and the fire pit has COMPLETELY cooled.

1. Keep exterior surfaces clean.
2. Wipe down the fire pit table top and burner using a damp cloth. Never use flammable or corrosive cleaning agents.
3. After cleaning your unit, make sure to dry out the area around the burner. If the gas control is exposed to water in any way, DO NOT try to use it. It must be replaced.
4. Keep the appliance free and clean from combustible, gasoline and other flammable vapors and liquids; not obstructing the flow of combustion and ventilation air; keeping the ventilation opening(s) of the cylinder enclosure free and clear from debris.
5. Check if there are cracks or worn sections on the gas hose. If yes, please contact Snow Joe® + Sun Joe® customer service department at 1-866-SNOWJOE (1-866-766-9563) to replace hose.
6. Spiders and insects can nest in burner or orifices. This condition can damage gas fire pit and make it unsafe for use. Clean orifices by using a heavy-duty pipe cleaner. Compressed air may help clear away smaller particles.
7. Air flow must be unobstructed. Keep controls, burner, and circulating air passageways clean. Signs of possible blockage include:
 - i). Gas fire pit does NOT reach the desired temperature.
 - ii). Gas fire pit glow is excessively uneven.
 - iii). Gas fire pit makes popping noises.

Storage

DO NOT move or store this fire pit set until the fire is COMPLETELY out and the fire pit is cool to the touch.

Store the fire pit indoors during the winter if it will be subjected to freezing temperatures. Disconnect and remove the cylinder from the appliance before the appliance can be stored indoors.

1. Turn the On/Off knob to "OFF" position. Shut off the gas cylinder.
2. Allow at least 45 minutes for the fire pit to cool down after use, and then turn regulator counterclockwise to disconnect the regulator from cylinder, turn the cylinder clamp screw counterclockwise to loose the cylinder and remove the cylinder.

3. Cylinder must be stored outdoors in a well-ventilated area out of the reach of children. When the cylinder is disconnected, tightly install the threaded valve plugs, and do not store it in a building, garage or any other closed area.
4. You may store product indoors ONLY if the cylinder is disconnected and removed.
5. Keep the fire pit area clear and free from combustible materials, gasoline and other flammable vapors and liquids.
6. Store the gas fire pit in an area sheltered from direct contact within clement weather (such as rain, sleet, hail, snow, dust and debris). It's recommended to cover the fire pit table with a vinyl, canvas, or stainless steel cover made for fire pit.
7. A qualified service person should install and repair the fire pit and inspect it annually.

Support

If your Sun Joe® SJ-PSGB fire pit set requires service or maintenance, please call 1-866-SNOWJOE (1-866-766-9563) for assistance.

Model and Serial Numbers

When contacting the company, reordering parts, or arranging service from an authorized dealer, you will need to provide the model and serial numbers, which can be found on the decal located on the unit. Copy these numbers into the space provided below.

Record the following numbers from your new product:	
Model #:	
S J - P S G B	
Serial #:	

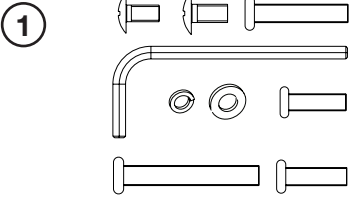

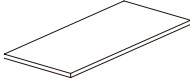
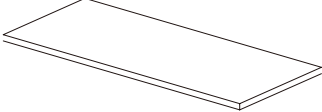
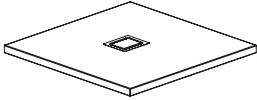



Troubleshooting

⚠️ WARNING! Always turn the fire pit off and remove the cylinder before performing any adjustments, maintenance, or repairs to your fire pit set. For any problems/situation unseen in the manual, please contact the Snow Joe® + Sun Joe® customer service department at 1-866-SNOWJOE (1-866-766-9563).

Problem	Possible Cause	Solution
Gas odor	Gas leak	<ol style="list-style-type: none"> 1. Do not try to light the appliance. 2. Do not touch any electrical switch; do not use any phone in the vicinity of this product. 3. Immediately call your gas supplier from a neighbor's phone. Follow the gas supplier's instructions.
Delayed Ignition	<ol style="list-style-type: none"> 1. Low gas pressure. 2. Clogged or dirty burner ports. 	<ol style="list-style-type: none"> 1. Check gas supply pressure. Replace a new cylinder if needed. 2. Clean burner parts: see Maintenance section.
Abnormal flame color	<ol style="list-style-type: none"> 1. Incorrect gas supply or pressure. 2. Clogged or dirty burner ports. 	<ol style="list-style-type: none"> 1. Check gas supply pressure. Make sure to use a cylinder that is compatible with the fire pit. 2. Clean burner parts: see Maintenance section.

Optional Accessories

⚠️ WARNING! ALWAYS use only authorized Snow Joe® + Sun Joe® replacement parts and accessories. NEVER use replacement parts or accessories that are not intended for use with this fire pit. Contact Snow Joe® + Sun Joe® if you are unsure whether it is safe to use a particular replacement part or accessory with your fire pit. The use of any other attachment or accessory can be dangerous and could cause injury or mechanical damage.

Accessories	Item	Model
 <p>①</p>	SJ-PSGB Hardware Pack	SJ-PSGB-HP1
 <p>②</p>	SJ-PSGB Lava Rock	SJ-PSGB-LAVA
 <p>③</p>	SJ-PSGB Short Ceramic Tile	SJ-PSGB-M
 <p>④</p>	SJ-PSGB Long Ceramic Tile	SJ-PSGB-L
 <p>⑤</p>	SJ-PSGB Burner Cover	SJ-PSGB-L
 <p>⑥</p>	SJ-PSGB Cylinder Locking Bolt	SJ-PSGB-J
 <p>⑦</p>	SJ-PSGB Door Knob	SJ-PSGB-H
 <p>⑧</p>	SJ-PSGB On/Off Knob	SJ-PSGB-C

NOTE: Accessories are subject to change without any obligation on the part of Snow Joe® + Sun Joe® to provide notice of such changes. Accessories can be ordered online at sunjoe.com or via phone by contacting the Snow Joe® + Sun Joe® customer service center at 1-866-SNOWJOE (1-866-766-9563).



SNOW JOE® + SUN JOE® CUSTOMER PROMISE

ABOVE ALL ELSE, Snow Joe, LLC (“Snow Joe”) is dedicated to you, our customer. We strive to make your experience as pleasant as possible. Unfortunately, there are times when a Snow Joe®, Sun Joe®, or Aqua Joe® product (“Product”) does not work or breaks under normal operating conditions. We think it’s important that you know what you can expect from us. That’s why we have a Limited Warranty (“Warranty”) for our Products.

OUR WARRANTY:

Snow Joe warrants new, genuine, powered and non-powered Products to be free from defects in material or workmanship when used for ordinary household use for a period of two years from the date of purchase by the original, end-user purchaser when purchased from Snow Joe or from one of Snow Joe’s authorized sellers with proof of purchase. Because Snow Joe is unable to control the quality of its Products sold by unauthorized sellers, unless otherwise prohibited by law, this Warranty does not cover Products purchased from unauthorized sellers. If your Product does not work or there’s an issue with a specific part that is covered by the terms of this Warranty, Snow Joe will elect to either (1) send you a free replacement part, (2) replace the Product with a new or comparable product at no charge, (3) repair the Product, or (4) refund the full purchase price of the Product to the original purchaser and owner. How cool is that!

This Warranty gives you specific legal rights, and you may also have other rights which vary from State to State.

PRODUCT REGISTRATION:

Snow Joe strongly encourages you to register your Product. You can register online at snowjoe.com/register, or by printing and mailing in a registration card available online from our website, or calling our Customer Service Department at **1-866-SNOWJOE (1-866-766-9563)**, or by e-mailing us at help@snowjoe.com. Failure to register your Product will not diminish your warranty rights. However, registering your Product will allow Snow Joe to better serve you with any of your customer service needs.

WHO CAN SEEK LIMITED WARRANTY COVERAGE:

This Warranty is extended by Snow Joe to the original purchaser and original owner of the Product.

WHAT IS NOT COVERED?

This Warranty does not apply if the Product has been used commercially or for non-household or rental applications. This Warranty also does not apply if the Product was purchased from an unauthorized seller. This Warranty also does not cover cosmetic changes that do not affect performance. Wearing parts like belts, augers, chains and tines are not covered under this Warranty, and can be purchased at snowjoe.com or by calling **1-866-SNOWJOE (1-866-766-9563)**.



sunjoe.com